



NOTE

CONTENTS

Read this manual carefully and learn to operate and service

your cart before using it.

1. INSTRUCTIONS FOR SAFE OPERATION

To keep the warranty, the cart must be maintained and

2. OPERATING INSTRUCTIONS

All references to "left-side", "right-side", "front", and

"back" are given from the operator's position.

3. ILLUSTRATED PARTS AND PARTS LIST

Use the serial number to ensure prompt and correct service

when ordering parts, requesting repairs, or warranty requests.

# CART OPERATORS MANUAL

SERIAL NUMBER

Look for this symbol to point out important safety precautions. It means -- ATTENTION! BECOME ALERT! YOUR SAFETY IS INVOLVED.



NOTE

Read this manual carefully and learn to operate and service your cart before using it.

To keep the warranty, the cart must be maintained and operated as directed in this manual.

All references to "left-side", "right-side", "front", and "back" are given from the operator's position.

Use the serial number to ensure prompt and correct service when ordering parts, requesting service, or making inquiries.

OPERATORS MANUAL

SERIAL NUMBER \_\_\_\_\_



Look for this symbol to point out important safety precautions. It means -- ATTENTION! BECOME ALERT! YOUR SAFETY IS INVOLVED.

CONTENTS

1. INSTRUCTIONS FOR SAFE OPERATION

2. OPERATING INSTRUCTIONS

3. SERVICE INSTRUCTIONS

4. ILLUSTRATED PARTS AND PARTS LIST

5. ASSEMBLY

6. WARRANTY

## SECTION 1

### Instructions for Safe Operation

Improper use of this cart can injure people and damage the equipment. People using or servicing this cart must read and follow the instructions in this manual.

It is important to understand that this manual and any other Gravely instruction manuals do not cover every possible danger. It is impossible for Gravely to know of all possible dangers in operating and servicing the tractor and attachments.

The purchaser must give these instructions to the people operating and maintaining this grass catcher. These people must use eye and foot protection.

#### 1.1 Preparation:

1. Read the tractor and the cart operator's manuals carefully.
2. Learn the location and function of all the tractor controls.
3. Learn how to use the controls to stop the tractor.
4. Use caution with gasoline. Gasoline is very flammable. Keep it in a clean and tight container away from flames or hot items. Never put gasoline in the fuel tank while the engine is running or hot. Clean up spilled gasoline before starting engine.
5. Be certain that all shields, guards, and interlock switches are in the correct positions.
6. When hauling the tractor and cart, connect the chassis and rear hitch to the transporting vehicle. Never connect from control levers, rods, or like items that could be damaged.

#### 1.2 Operation:

1. Wear foot and eye protection. Do not wear loose clothing.
2. Do not use the equipment in the dark without adequate lighting.
3. Keep the cart in good condition. Maintain it as directed in this manual.
4. Replace all parts that become damaged or lost.
5. USE ONLY GRAVELY ACCESSORIES AND ATTACHMENT OR ATTACHMENTS GRAVELY HAS APPROVED FOR USE WITH THIS TRACTOR.


6. Do not overspeed the engine. Do not override the governor.
7. Keep away from moving parts.
8. Keep people and animals away from the operating area.
9. Do not let people other than the operator ride on the tractor or cart.
10. Use a slow speed and engage the direction control lever slowly when operating on slopes.
11. Look for and keep away from hazards.
12. Use only the hitch provided with the cart and tractor.
13. Look behind when operating in reverse. When backing the two-wheel tractor, keep a firm grip on the handle bar.
14. After hitting an object with the equipment, stop the engine and check for damage. Repair any damage before continuing operation.
15. Operate the tractor only from the seat.
16. Travel up and down, not across slopes.
17. Never permit children to operate the tractor.
18. Before leaving the tractor, put in gear and put the direction control lever in FWD position (two-wheel tractor), lock the brake, and remove the ignition key.
19. If there is a sudden change in the sound or vibration of the equipment, stop the engine and check for damage. Repair any damage or failure before continuing operation.
20. Never run the engine indoors except to move it outside. Exhaust fumes are dangerous.
21. Go slow on slick surfaces.
22. Follow traffic laws when operating on or near a road.
23. Before dumping the cart, be sure that people and pets are clear of the cart and the load.
24. Do not use the cart on steep slopes or rough terrain.
25. Keep the PTO control in the "OFF" position.
26. Limit the load in the cart to the weight of the tractor. (400 pounds, 181 kg for two-wheel tractor; 900 pounds, 409 kg for the four-wheel tractor.)
27. To avoid tipping of the cart, do not haul high loads.

## SECTION 2

### Operating Instructions

#### 2.1 Tractor Connection:

1. The cart is connected to the 8000 Series (four-wheel) tractor with a hitch pin in the rear hitch.
2. The cart is connected to the 5000 Series tractor (two-wheel) with the trailing hitch kit and the coupler strut weldment. Remove any attachment from the front of the tractor before using the cart.

 **CAUTION:** To prevent injury, be sure that the engine is not running when connecting or disconnecting the cart to the tractor.

#### 2.2 Dumping:

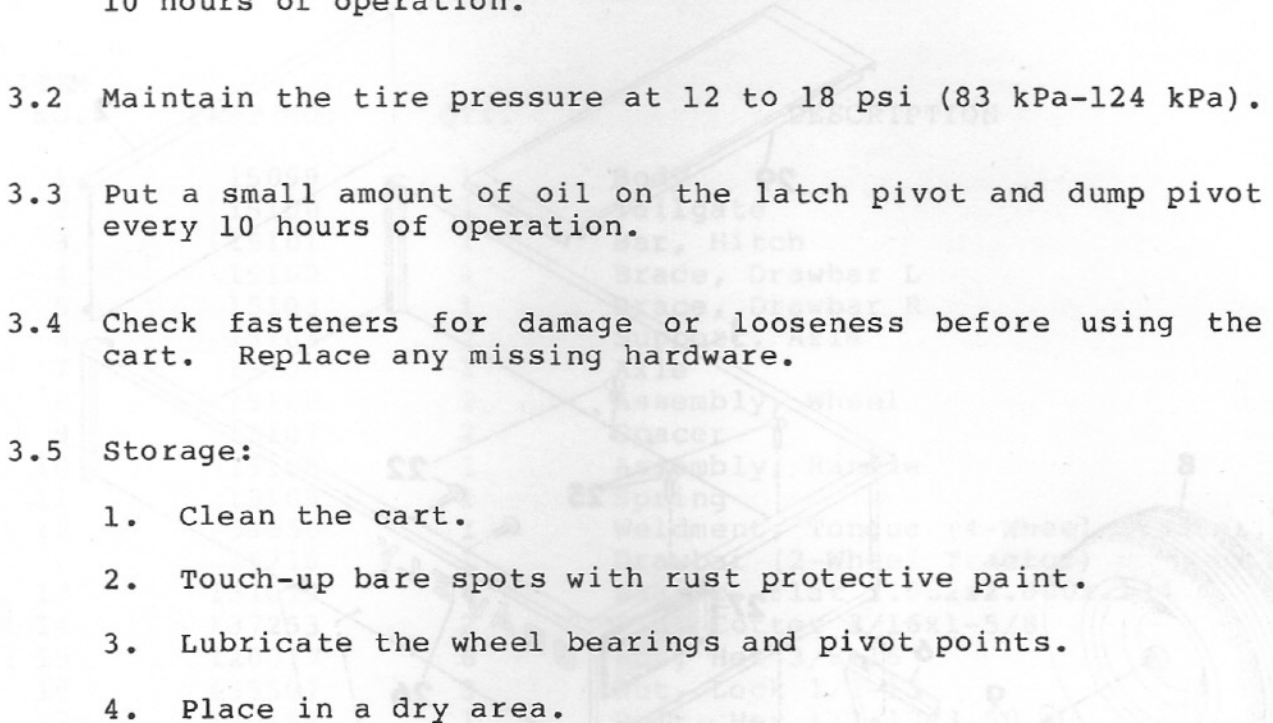
1. Transport the cart to the dumping area.
2. Remove the tailgate and seat (two-wheel tractor cart).
3. Pull the handle forward.
4. When the cart has been emptied, push the front of the bed down and move the handle back to latch.
5. Replace the tailgate and seat.

#### 2.3 Loading:

1. Load the cart evenly so that it will dump.
2. Limit the load to the weight of the tractor (400 pounds, 181 kg for the two-wheel tractor and 900 pounds, 409 kg for the four-wheel tractor).

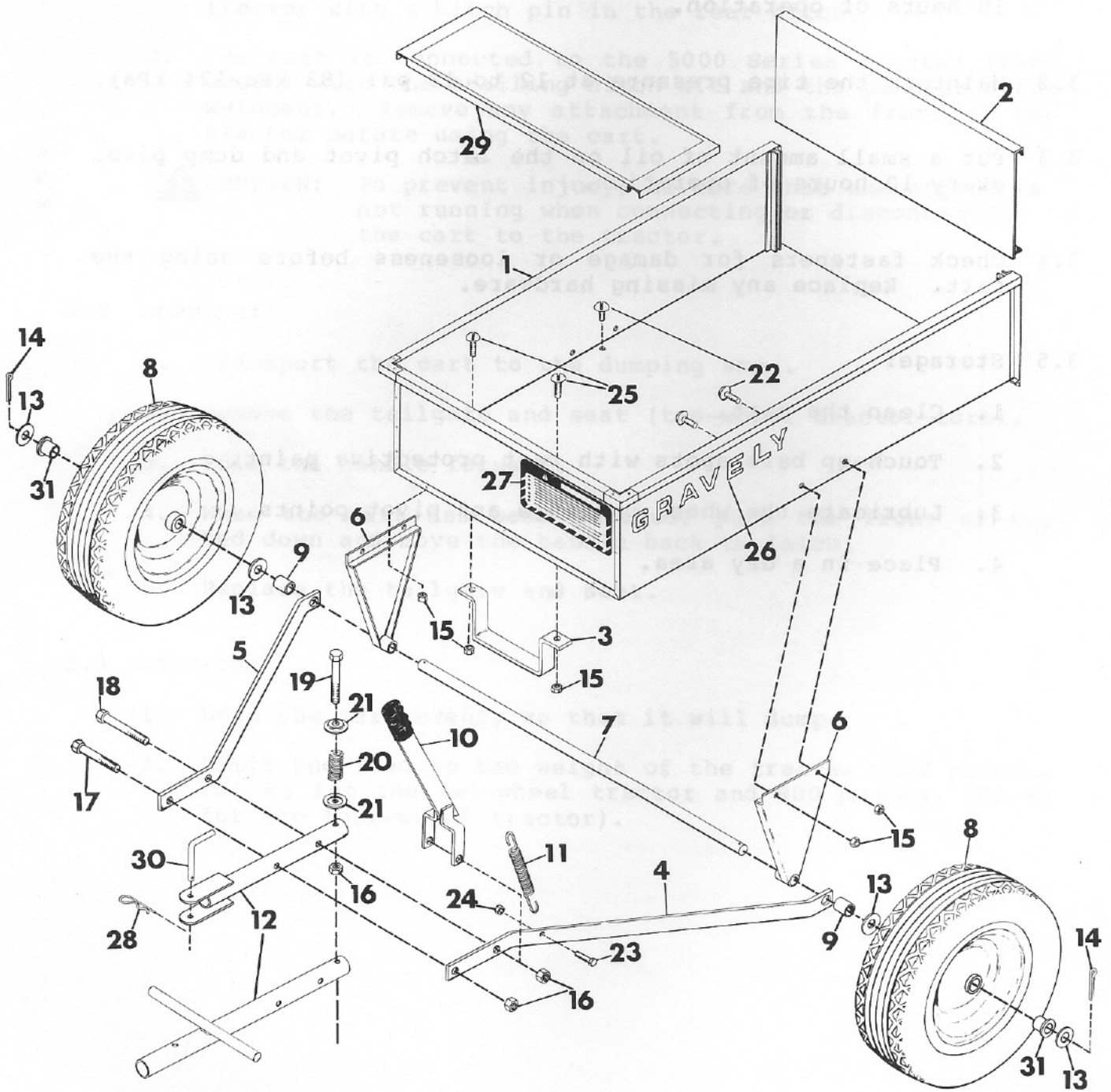
## SECTION 3

Service Instructions

- 3.1 Lubricate the wheel bearings with multi-purpose grease every 10 hours of operation.
  - 3.2 Maintain the tire pressure at 12 to 18 psi (83 kPa-124 kPa).
  - 3.3 Put a small amount of oil on the latch pivot and dump pivot every 10 hours of operation.
  - 3.4 Check fasteners for damage or looseness before using the cart. Replace any missing hardware.
  - 3.5 Storage:
    1. Clean the cart.
    2. Touch-up bare spots with rust protective paint.
    3. Lubricate the wheel bearings and pivot points.
    4. Place in a dry area.
- 

SECTION 4

Illustrated Parts and Parts Lists





## Assembly

ITEM NO.	PART NO.	QTY.	DESCRIPTION
1	15099	1	Body
2	15100	1	Tailgate
3	15101	1	Bar, Hitch
4	15102	1	Brace, Drawbar L
5	15103	1	Brace, Drawbar R
6	15104	2	Support, Axle
7	15105	1	Axle
8	15106	2	Assembly, Wheel
9	15107	2	Spacer
10	15108	1	Assembly, Handle
11	15109	1	Spring
12	38550	1	Weldment, Tongue (4-Wheel Tractor)
	15216	1	Drawbar (2-Wheel Tractor)
13	131019	4	Washer, Flat 1.062x2.000x.134
14	137253	2	Pin, Cotter 3/16x1-5/8
15	120377	8	Nut, Hex 3/8-16
16	435507	3	Nut, Lock 1/2-13
17	180192	1	Bolt, Hex 1/2-13x3.50
18	433156	1	Bolt, Hex 1/2-13x4.50
19	180194	1	Bolt, Hex 1/2-13x4.00
20	12613	1	Spring, Valve
21	12738	2	Locator, Valve Spring
22	160776	6	Screw, Mach 3/8-16x.75
23	180022	1	Bolt, Hex 1/4-20x1.00
24	120375	1	Nut, Hex 1/4-20
25	160825	2	Screw, Mach 3/8-16x1.00
26	19365	1	Decal, Gravely White Vinyl
27	20934	1	Decal, Warning
28	10405	1	Pin, Hair (4-Wheel Tractor only)
29	15111	1	Seat (2-Wheel Tractor only)
30	38595	1	Pin, Hitch (4-Wheel Tractor)
31	35004	4	Bearing (2 for each wheel)

## SECTION 5

### Assembly

- 5.1 Remove the cart from the shipping container.
- 5.2 Set the cart body on the rear end.
- 5.3 Using four 3/8-16x3/4 pan hd. machine screws from inside the body and four 3/8-16 nuts, mount the axle supports.
- 5.4 Using two 3/8-16x1 pan hd. machine screws from inside the cart and two 3/8-16 nuts, mount the latch bar.
- 5.5 Turn the cart upside down.
- 5.6 Put the axle in the axle supports.
- 5.7 Put the drawbar braces over each end of the axle. Note that the brace with the spring hole goes on the left side.
- 5.8 Put a spacer on each end of the axle followed by a flat washer.
- 5.9 Put a film of grease on the bearings of each wheel.
- 5.10 Put the wheel on the axle.
- 5.11 Put a flat washer on each end of the axle and retain with cotter pins.
- 5.12 Turn the cart right side up.
- 5.13 Put valve spring locator on the 1/2-13x4 bolt. Follow with the spring and another valve spring locator.
- 5.14 Put the bolt into the top of the rear hole of the drawbar and secure with a 1/2-13 lock nut. Tighten just enough to allow the assembly to go under the latch bar after the drawbar is mounted.
- 5.15 Set the handle and drawbar in position with the drawbar braces. The foot rest goes on top of the drawbar on the two-wheel cart.
- 5.16 Mount the handle with the 1/2-13x4.5 bolt and 1/2-13 lock nut. Tighten the bolt so that the handle is free to pivot.
- 5.17 Put a 1/2-13x3-1/2 bolt in the front holes in the drawbar braces and secure with a 1/2-13 nut.
- 5.18 Install the 1/4-20x1 bolt in the left drawbar brace from the outside and secure with a 1/4-20 nut.

- 5.18 Install the 1/4-20x1 bolt in the left drawbar brace from the outside and secure with a 1/4-20 nut.
- 5.19 Hook one end of the tension spring on the 1/4" bolt in the left drawbar brace. Tighten the 1/4" bolt. Hook the other end of the spring on the lower part of the handle.
- 5.20 Put the grip on the handle.
- 5.21 Push down on the front of the cart. Swing the handle back and latch the bed.
- 5.22 Slide the tailgate in the rear of the cart.
- 5.23 On the two-wheel cart, install the coupler strut weldment and seat.
- 5.24 Lubricate the cart and adjust the tire pressure. See Section 3.

GRAVELLY

## SECTION 6

### GRAVELY LIMITED WARRANTY

This Limited Warranty is issued by Gravelly International, Inc., and consists of the following terms:

1. Only the original purchaser of new Gravelly equipment is covered by this Warranty.
2. This Warranty covers repair or replacement of parts manufactured by Gravelly which are defective in material or workmanship. Gravelly will pay for parts and labor only.
3. The Warranty starts the date of purchase and lasts for TWELVE (12) MONTHS.
4. Some components of Gravelly equipment are not covered by the Gravelly Warranty. These components are covered by the original manufacturer's warranty, which is included with the product. They are:
  - a. Engines
  - b. Tires
5. To obtain warranty service on Gravelly equipment including components not manufactured by Gravelly, use this procedure:
  - a. Notify the Gravelly dealer from whom you purchased the equipment.
  - b. If you have moved and it is not convenient to notify the selling dealer, notify the nearest Gravelly dealer. You should supply this dealer with a copy of the bill of sale as proof of the date of purchase.
  - c. Make arrangements to have the equipment delivered to the dealer (refer to paragraph 6(a) below).
  - d. If you have any questions concerning the Gravelly Limited Warranty, they should be referred to:

Gravelly International, Inc.  
One Gravelly Lane  
Clemmons, NC 27012

Attn: Manager of Customer Services
  - e. Warranty service on Gravelly equipment must be performed by an authorized Gravelly dealer or Gravelly factory branch.
6. This Warranty does not cover the following:
  - a. Transportation between owner's home or place of business and the dealership. If the dealer provides the transportation of the equipment, he will charge the owner his usual rate for such service.
  - b. Normal maintenance services and normal replacement of items such as spark plugs, belts, oil, oil filters, air filters, and mower, plow or cultivator blades.
  - c. Alterations or Modifications - All obligations under this warranty shall be terminated if the equipment is altered or modified in any way.
  - d. Customer Neglect or Lack of Proper Maintenance - The purchaser is responsible for making sure that the tractor is operated and serviced as directed in the operator's manual. Incorrect use or maintenance will void the warranty.
7. GRAVELLY MAKES NO OTHER EXPRESS WARRANTIES. ANY IMPLIED WARRANTIES, INCLUDING WARRANTIES AS TO MERCHANTABILITY OR FITNESS FOR A PARTICULAR PURPOSE, ARE LIMITED IN DURATION TO THE PERIOD SET OUT IN PARAGRAPH 3 ABOVE. SOME STATES DO NOT ALLOW LIMITATIONS ON HOW LONG AN IMPLIED WARRANTY LASTS. SO THE ABOVE STATEMENT MAY NOT APPLY TO YOU.
8. GRAVELLY SHALL HAVE NO RESPONSIBILITY FOR INCIDENTAL OR CONSEQUENTIAL DAMAGES RESULTING FROM THE BREACH OF ANY WARRANTY, INCLUDING, BUT NOT LIMITED TO, INCONVENIENCE, RENTAL OR PURCHASE OF REPLACEMENT EQUIPMENT, LOSS OF PROFITS OR COMMERCIAL LOSS. SOME STATES DO NOT ALLOW THE EXCLUSION OR LIMITATION OF INCIDENTAL OR CONSEQUENTIAL DAMAGES, SO THE ABOVE LIMITATION OR EXCLUSION MAY NOT APPLY TO YOU.
9. This Warranty gives you specific legal rights, and you may have other rights which vary from state to state.
10. A Gravelly product registration card is supplied with each Gravelly product. Please complete the card and return it to Gravelly at the address listed on the card. The equipment registration card will be used by Gravelly for:
  - a. Recording date of purchase.
  - b. Notification of owners in compliance with the Consumer Product Safety Act, should any notification be necessary.The return of registration card is not required in order to take advantages of this Warranty.
11. This Warranty is not subject to change or modification by anyone, including Gravelly dealers and no Gravelly dealer is authorized to make any representations or promises on Gravelly's behalf.

 **GRAVELLY**